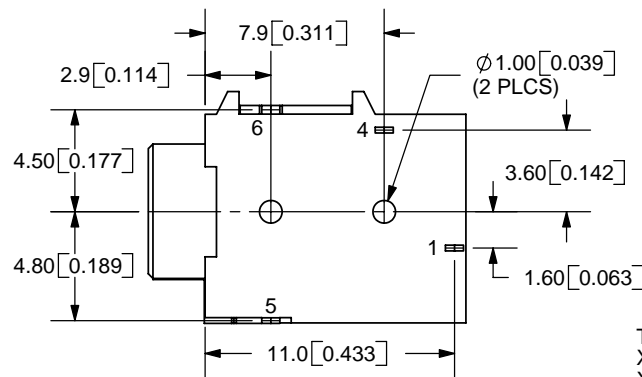
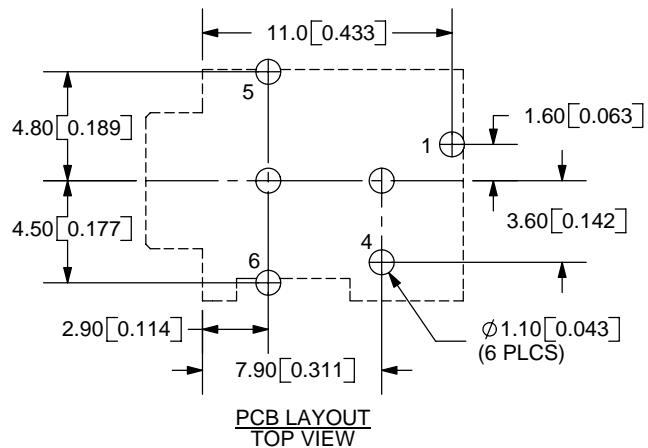
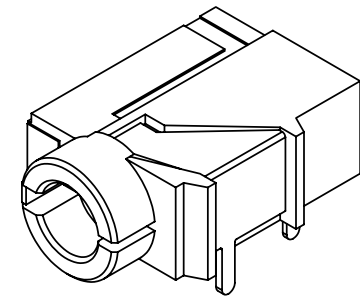
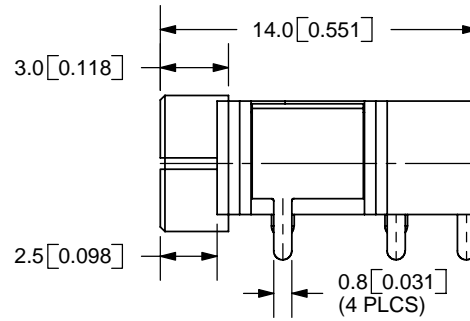
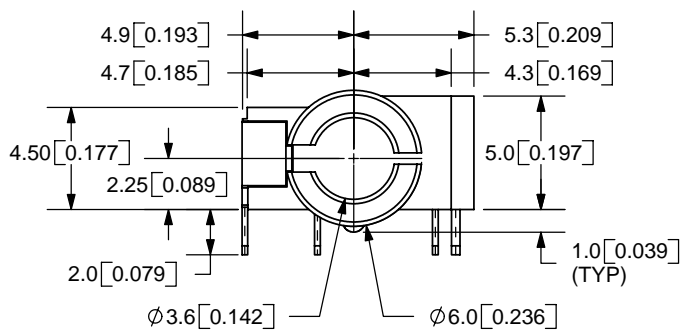


REV.	DESCRIPTION	DATE
A	NEW DRAWING	9/12/2006



TOLERANCE:  
X.X ±0.2mm  
X.XX ±0.1mm  
X.XXX ±0.05mm



MODEL NO.	SJ-43514
SCHMATIC	

**SPECIFICATIONS:**  
RATING: 16V DC @ 300mA  
CONTACT RESISTANCE: 100m OHMS MAX  
INSULATION RESISTANCE: 100M OHMS MIN: 500V DC  
VOLTAGE WITHSTAND: 500V AC R.M.S. FOR 1 MINUTE  
LIFE: 5,000 CYCLES

	MATERIAL	PLATING
TERMINAL 1	PBS	Tin
TERMINAL 4	Ti-Cu Alloy	Tin
TERMINAL 5	PBS	Gold
TERMINAL 6	PBS	Tin
BUSHING	Brass	Nickel
HOUSING	PBT	



20050 SW 112th Ave.  
Tualatin, OR 97062  
Phone: 503-643-4899  
800-275-4899  
Fax: 503-372-1266  
Website: www.cui.com

TITLE:	AUDIO JACK W/4 CONDUCTORS 3.5mm	REV:	A
PART NO.	SJ-43514	UNITS:	MM [INCHES]
DRAWN BY:	ZRJ	APPROVED BY:	
		SCALE:	3:1

PC FILE NAME:  
SJ-43514

COPYRIGHT 2006 BY CUI INC.